

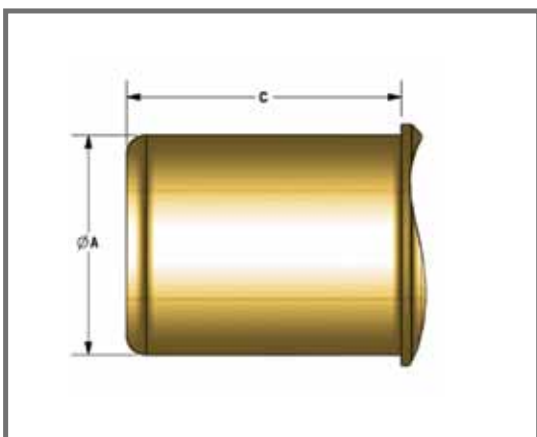


# NEW PRODUCT

November 7, 2022



## Manufacturing Valvetrain For 80-Years & 2-Generations



71049

## Generic Seal

### Seal Style 5 - Solid Viton® w/ Metal Jacket & Choker Spring

Stem Diameter	O.L.	Seal O.D.	Designed for these guide specs				Rep. OEM P/N
6.0mm	0.470"	0.590"	A	B	C	D	---
			0.475"±0.002"	---	0.295"	---	
		Quantity	Quantity Discount		Retail		
71049-4		Pkg. of 4	0%		\$13.96		
71049-8		Pkg. of 8	0%		\$27.92		
71049-16		Pkg. of 16	Less- 10%		\$50.25		
71049-50		Pkg. of 50	Less- 15%		\$148.33		
71049-100		Pkg. of 100	Less- 20%		\$279.21		

KPMI® Red 100% Viton valve stem seals are designed to have optimum fitment, allow , maximum lift, and to give maximum life. KPMI® Red valve stem seals are resistant to high temperatures, petroleum products and the corrosive gasses that are the by-products of combustion. These seals retain their ability to seal in situations where other materials could harden and allow oil to enter the combustion chamber causing detonation, carbon build up and a loss of power. The Red Ones are truly the racers choice.

All KPMI® seals are conveniently packaged in quantities of: 4, 8, 16, 50, and 100. Value added savings have been built into the 16, 50, and 100 quantity packs with 10, 15, and 20% savings respectively. Select your seal type by clicking on the image below and then use the diagram and specifications to ensure YOUR valve guide shares the same dimensions for a proper fit.

Contact a KPMI® Sales Representative Today!

650-557-2046, Ext. 802

VISIT US AT [WWW.KPMI.US](http://WWW.KPMI.US)