

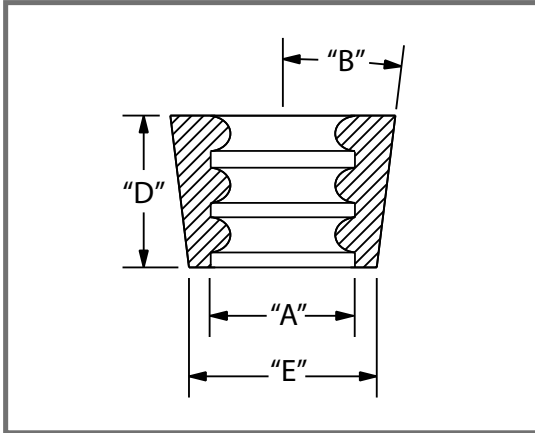


# NEW PRODUCT

February 9, 2022



## Manufacturing Valvetrain For 80-Years & 2-Generations



51034

## Generic Keeper

### Triple Radius Bead

Stem Diameter - A -	Keeper Angle -B-	Bead Height -C-	Overall Length -D-	Minor Diameter -E-	Style
0.236"	9.0°	---	0.240"	0.289"	Non-rotating
Part Number		Quantity		Retail	
51034-4		4 Pairs		\$33.30	
51034-8		8 Pairs		\$66.61	
51034-16		16 Pairs		\$119.88	
51034-50		50 Pairs		\$353.85	
51034-100		100 Pairs		\$666.07	

All KPMI® keepers are single-point machined from high tensile strength billet material (with the exception of forged styles). After machining, the keepers are split, tumbled and then heat treated. At KPMI® we pay close attention to the surface finish and tolerance of all diameters, taper angle, and bead location. This type of detail insures repeatability you can count on. All Kibblewhite® Keepers are sold in pairs of 4, 8, 16, 50, and 100.

Contact a KPMI® Sales Representative Today!

650-557-2046, Ext. 802

VISIT US AT [WWW.KPMI.US](http://WWW.KPMI.US)