

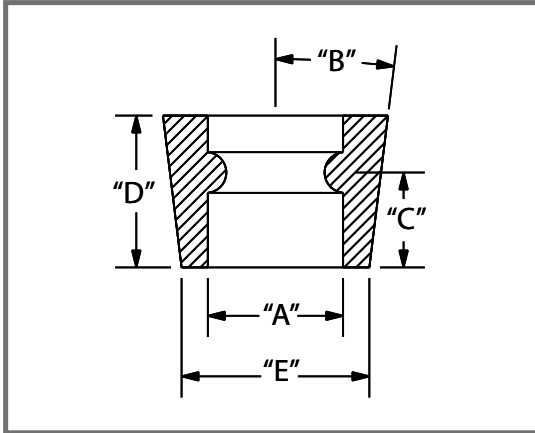


NEW PRODUCT

March 12, 2021



Manufacturing Valvetrain For 80-Years & 2-Generations



51033

Generic Keeper

Single Radius Bead

Stem Diameter - A -	Keeper Angle -B-	Bead Height -C-	Overall Length -D-	Minor Diameter -E-	Rep. OEM P/N
0.236"	9.0°	0.127"	0.230"	0.292"	---
Part Number	Quantity		Retail		
51033-4	4 Pairs		\$33.30		
51033-8	8 Pairs		\$66.61		
51033-16	16 Pairs		\$119.88		
51033-50	50 Pairs		\$353.85		
51033-100	100 Pairs		\$666.07		

All KPMI® keepers are single-point machined from high tensile strength billet material (with the exception of forged styles). After machining, the keepers are split, tumbled and then heat treated. At KPMI® we pay close attention to the surface finish and tolerance of all diameters, taper angle, and bead location. This type of detail insures repeatability you can count on. All Kibblewhite® Keepers are sold in pairs of 4, 8, 16, 50, and 100.

* The bead height is referenced from the minor diameter of the keeper to the center of the bead.

Contact a KPMI® Sales Representative Today!

650-557-2046, Ext. 802

VISIT US AT WWW.KPMI.US